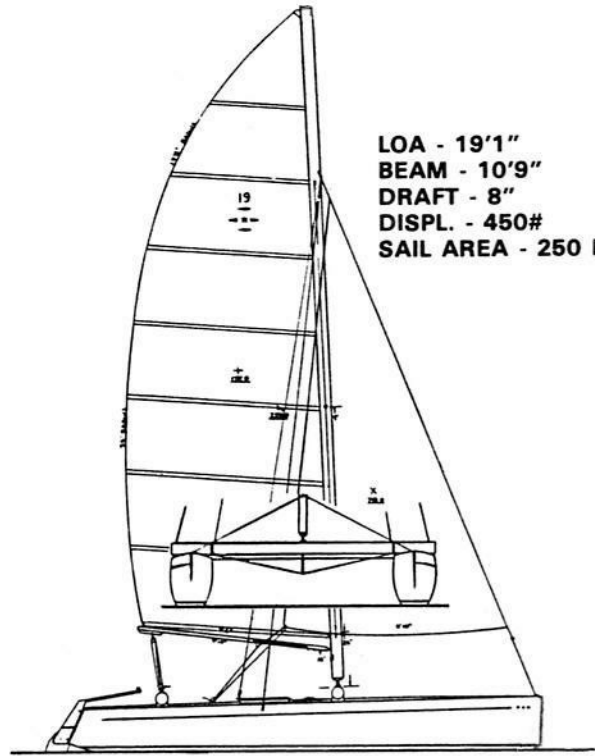
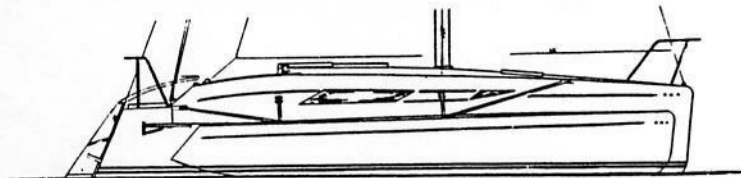
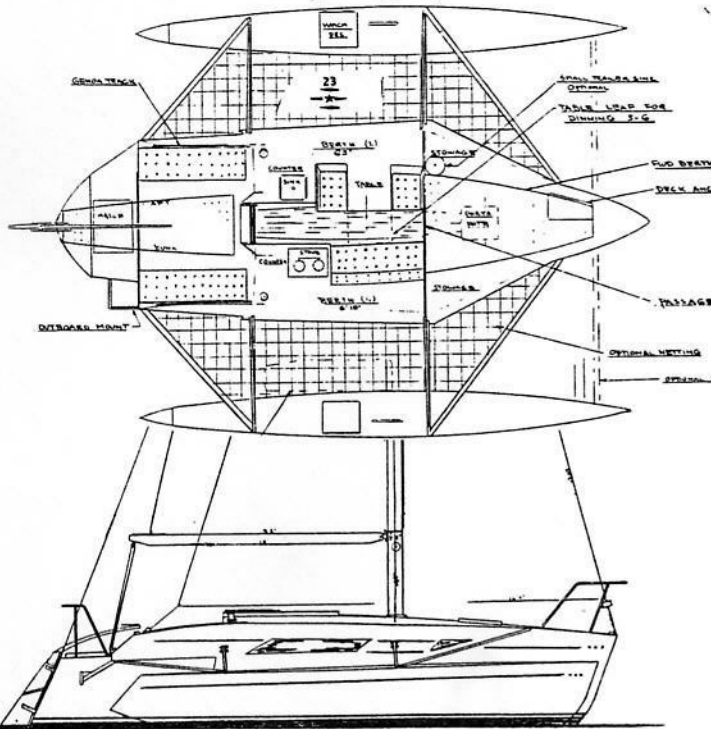
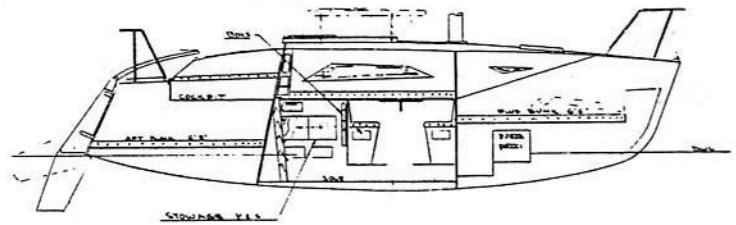


TRI-STAR 23/2319C

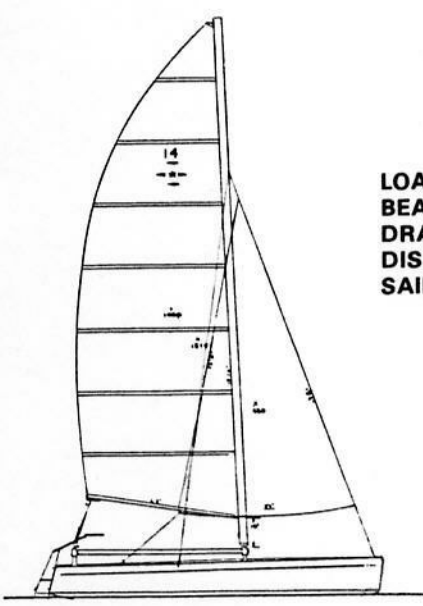
LOA 23' BEAM 16'4" DRAFT 18"
DISPL. 1600# SAIL AREA 410 FT²



LOA - 19'1"
BEAM - 10'9"
DRAFT - 8"
DISPL. - 450#
SAIL AREA - 250 FT²

2319C AMA

TRI-STAR 19CT



LOA - 13'6"
BEAM - 8'
DRAFT - 7"
DISPL. - 275#
SAIL AREA - 151 FT²

TRI-STAR 14CT

For model availability see price list

TRI-STAR 23/2319C/19CT - A Tri-Star Family of Trimaran-Catamaran Convertible designs by Ed Horstman. The 23 is a performance Trimaran that is available as an 8' wide trailerable, berthable model or a demountable model. The berthable 23' amas fold back alongside the main hull. This may be done while in the water, allowing the 23 to be berthed in a conventional width slip. The 23 sleeps 4-5 making it an enjoyable small cruiser. With a 2-3 man crew, the 23 becomes a performance weekend racer. For the day you want to enjoy sailing a high performance catamaran, just leave the main hull home. The ama becomes the 19CT with their own fully battened main and jib, two aluminum tube beams and rudders. The 19CT becomes one of the fastest of the beach catamarans. The 19CT hulls have the bouancy for partying after a full day of racing. Tri-Star 2319C convertible is a multihull sailing enthusiast's dream. The 2319CT may be built out of molded plywood or F.F.G. Plans have full size patterns and full size patterns for S.S. swing beam or alu. tubes for demountable model.

Tri-Star 18/1814CT/14CT is Tri-Star's smallest convertible. The 18 is an enjoyable fast weekender easily trailered. The designer has one and it's impressive to all. The 14CT uses the 18' ama, has its own mast and alu. beams. The 14CT is an inexpensive and easy way to start sailing while adding the 18' tri hull for extended weekend sailing later. The 14CT hulls have twice the bouancy of cats close to its size, making it a fast enjoyable catamaran. Tri-Star convertibles are truly full spectrum sailing enjoyment.